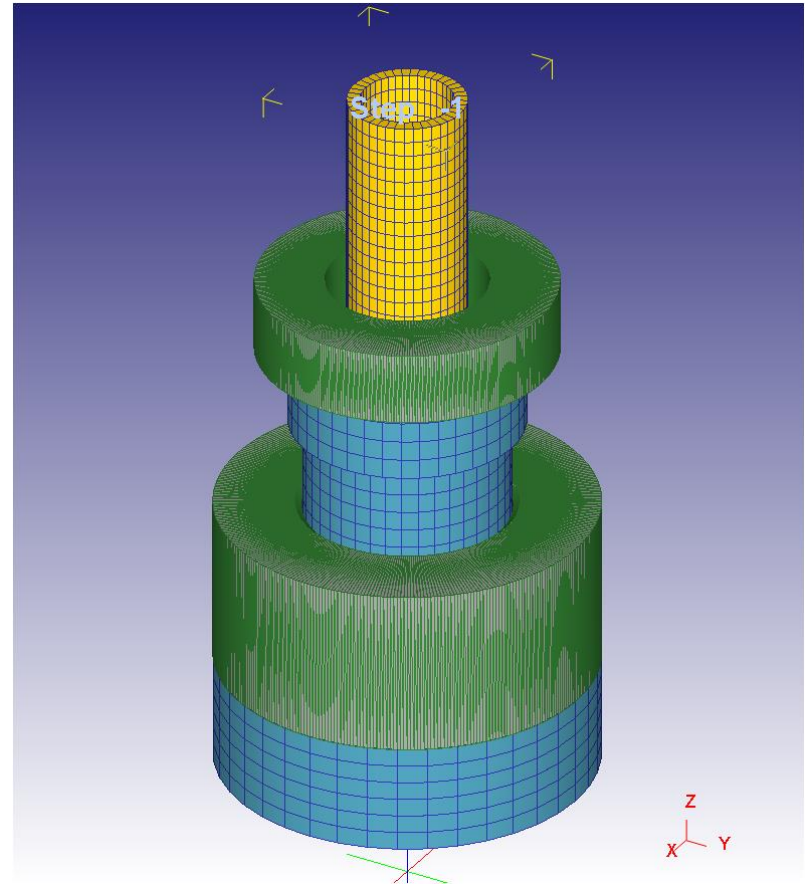
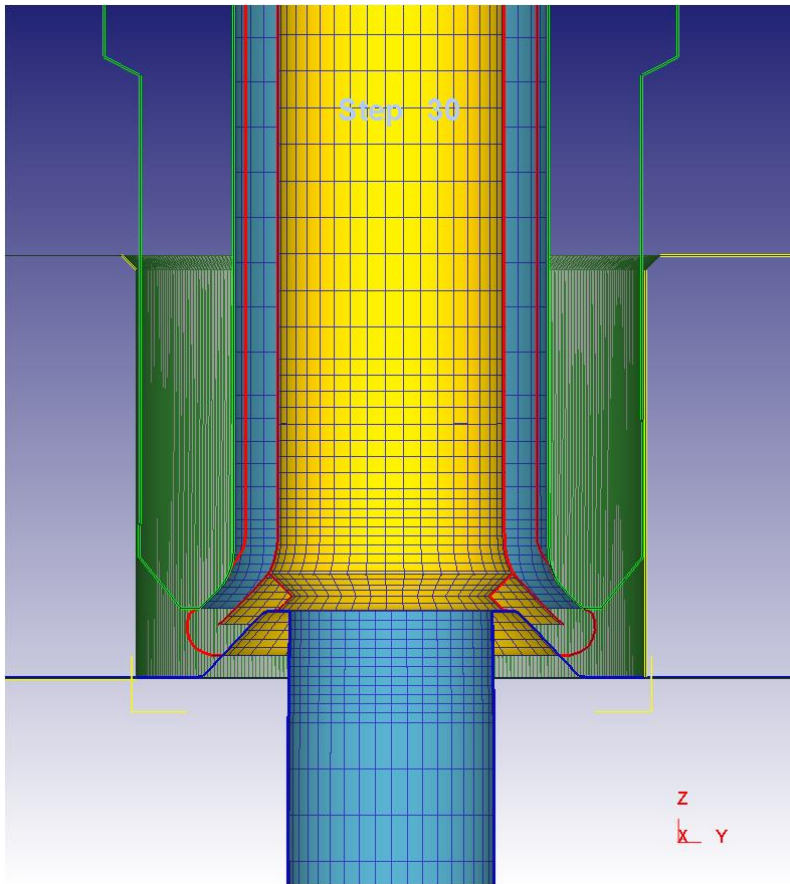
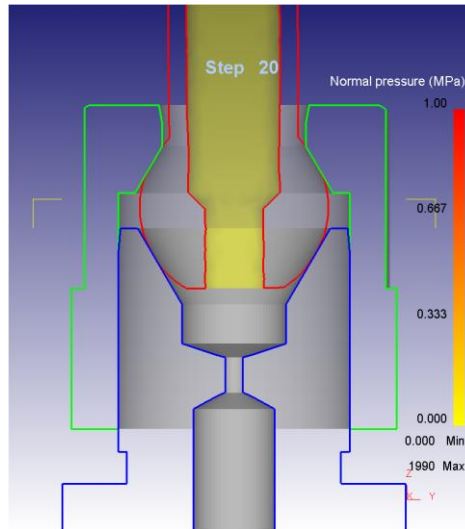
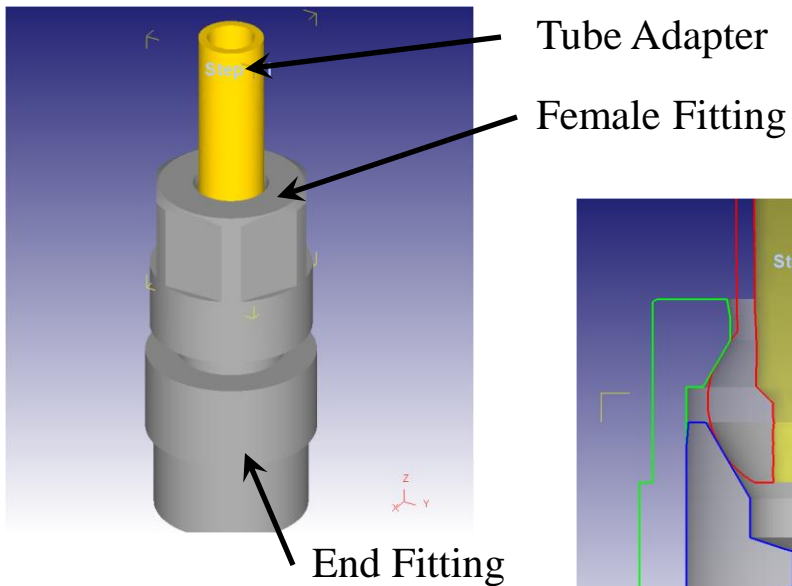


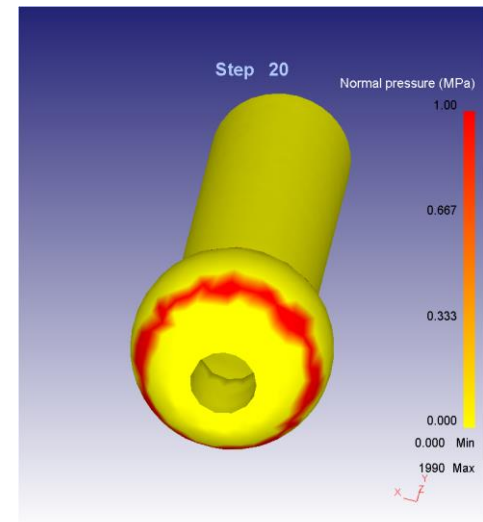


FEA Joint Analysis





Model, with sealing surface, of the tube adapter, after assembly



FEA Fuel Rail Joint Analysis



Forming Simulation

