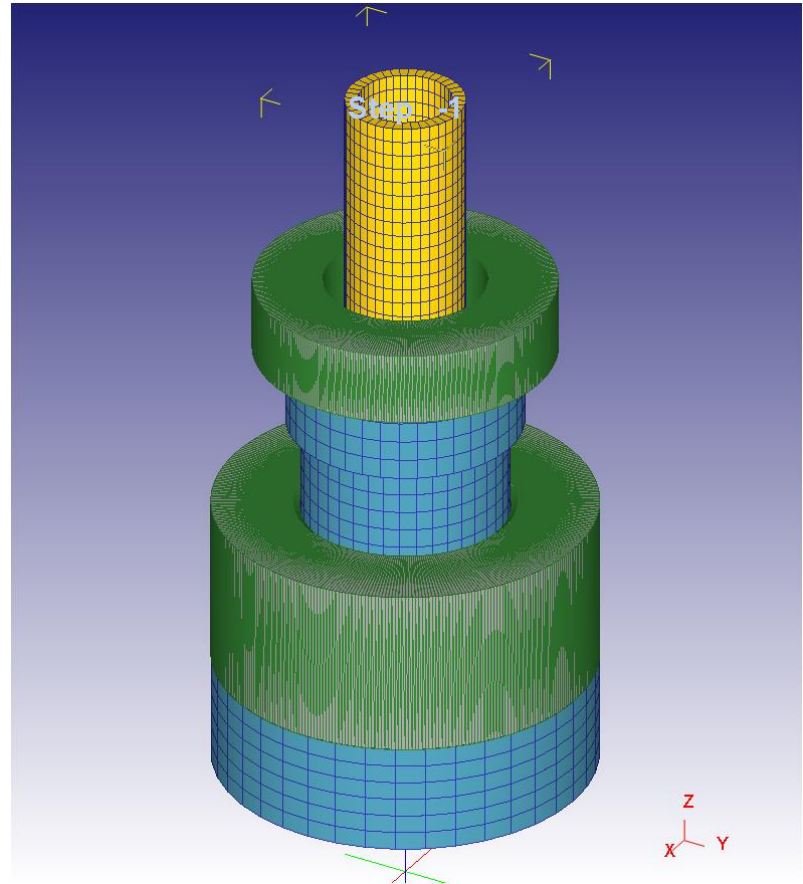
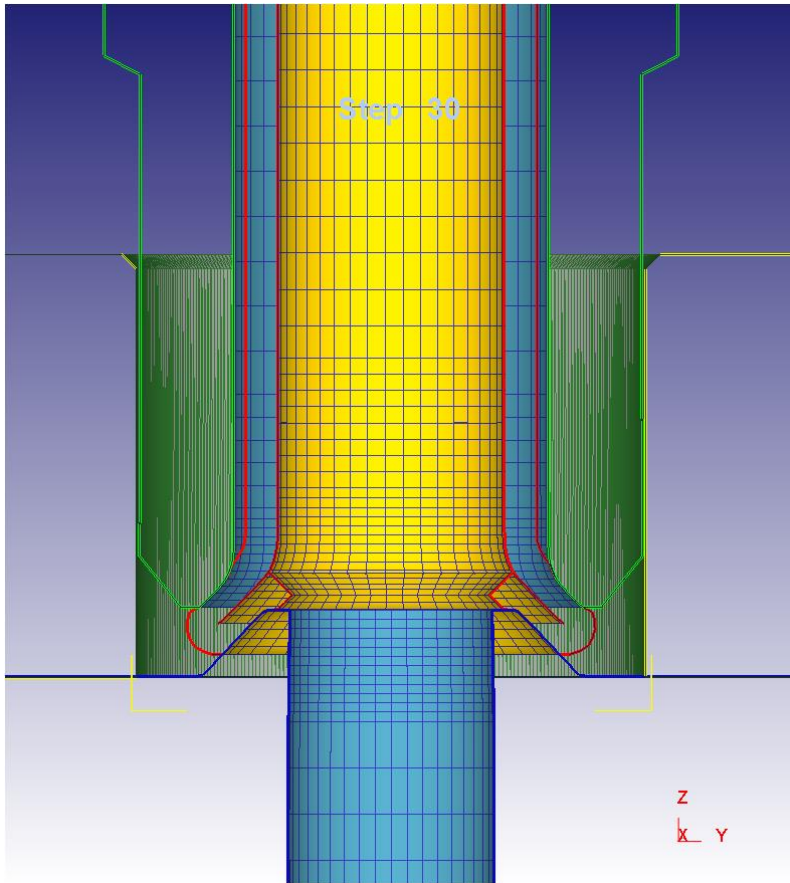
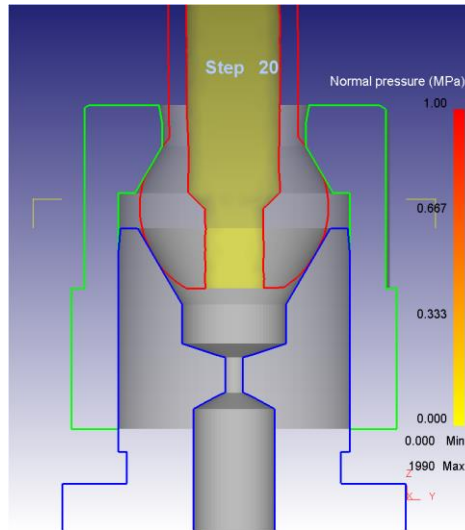
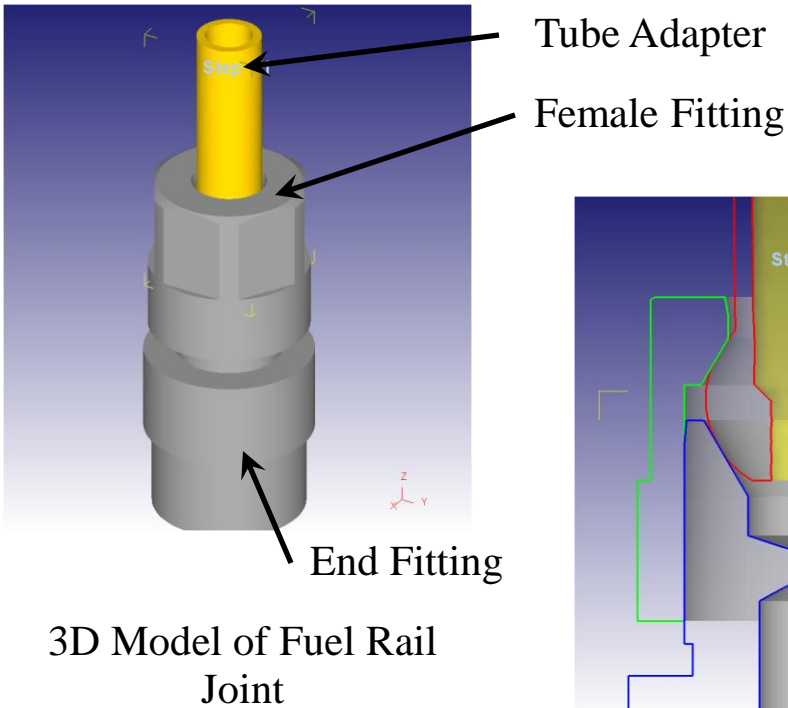


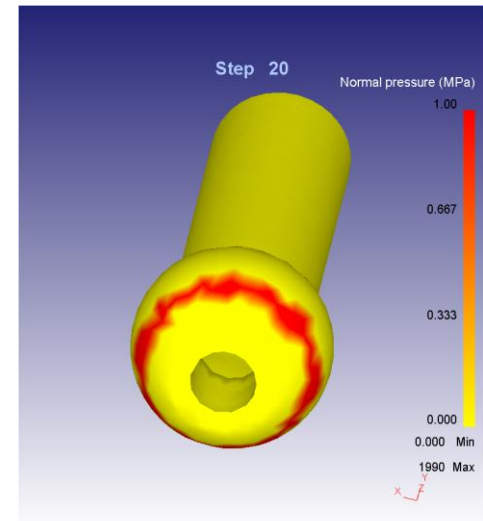


# FEA Joint Analysis





Model, with sealing surface, of the tube adapter, after assembly



# FEA Fuel Rail Joint Analysis



# Forming Simulation

