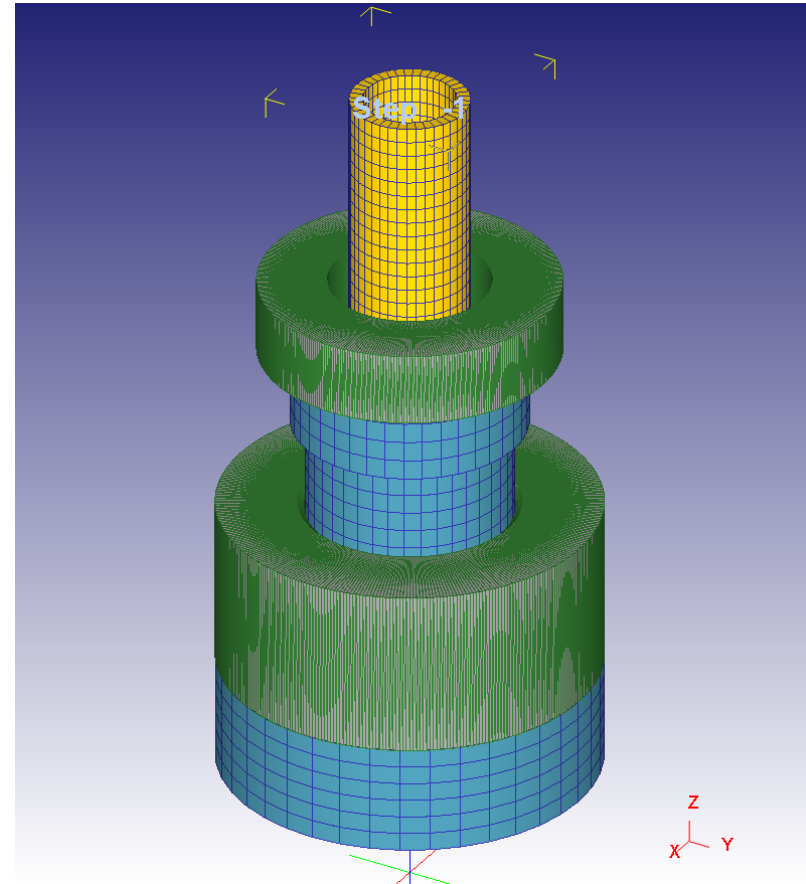
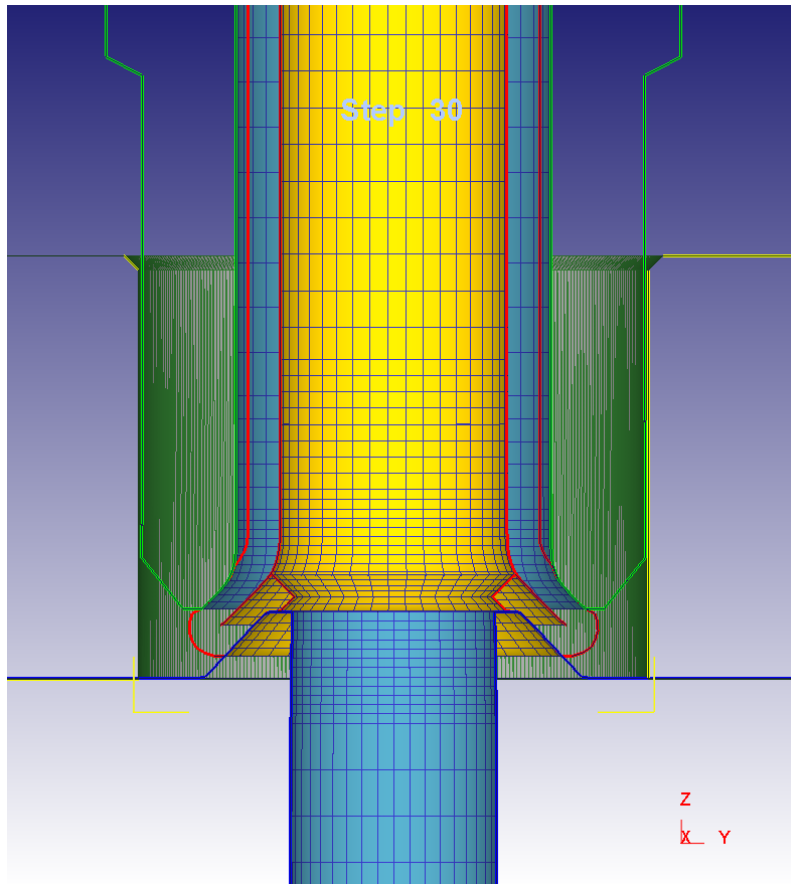
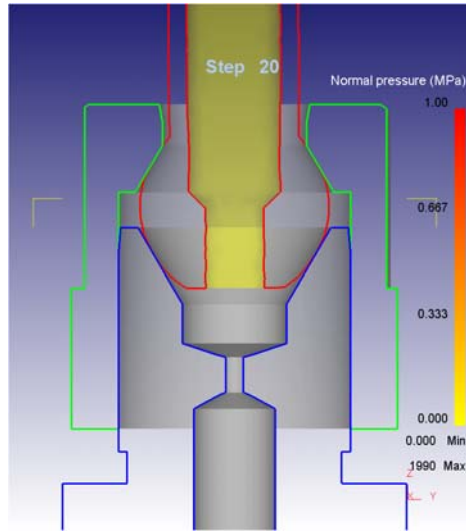
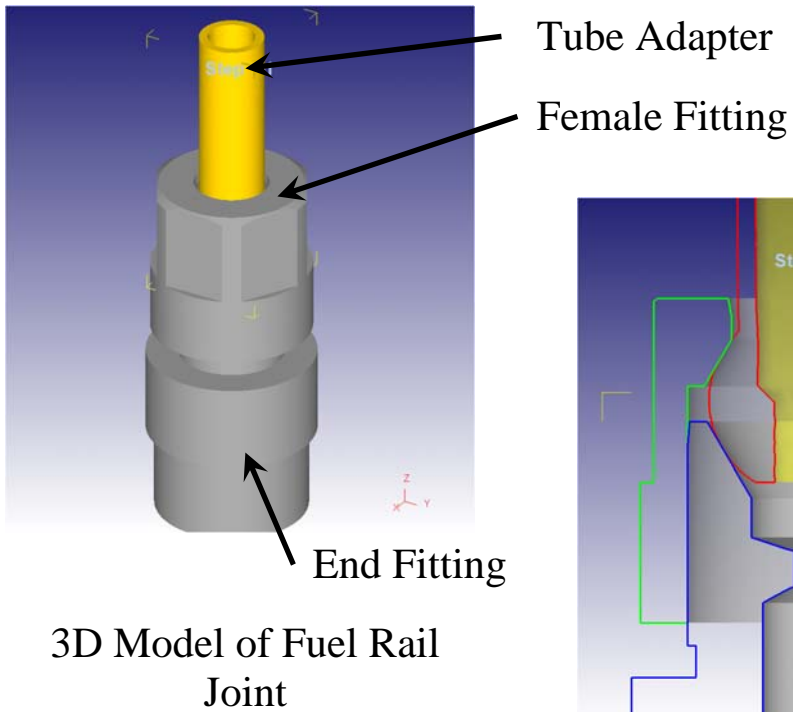




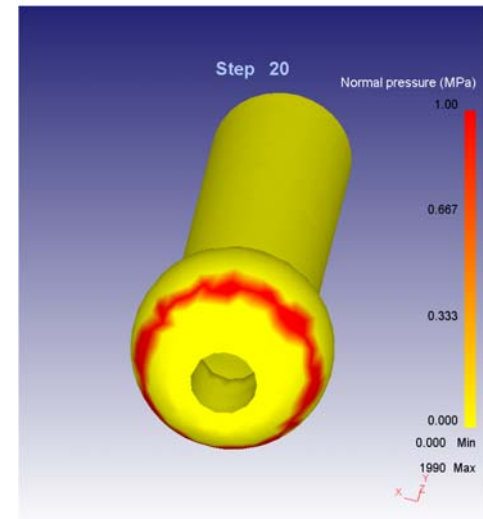
FEA Joint Analysis





Sectioned Model of Fuel Rail Joint after assembly

Model, with sealing surface, of the tube adapter, after assembly



FEA Fuel Rail Joint Analysis



Forming Simulation

